

Christie

Glasshouses & Garden Sheds



 COLORSTEEL.

Zincalume®



ALLAN'S 15
YEAR TICK

Good things
happen when
you buy local



THE GREAT KIWI GLASSHOUSE AND GARDEN SHED,
MANUFACTURED IN DUNEDIN SINCE 1912

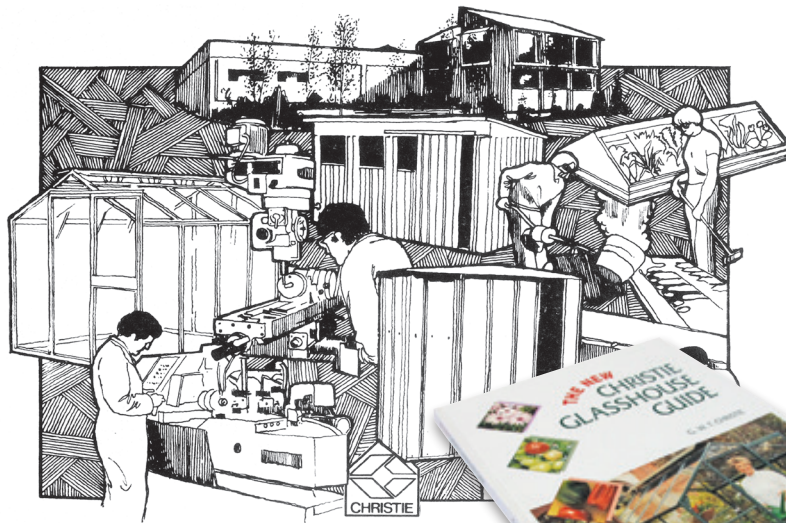


Christie Glasshouses to grow stuff in:



Kiwi-made since 1912

IN 1912, J&T CHRISTIE LIMITED produced its first glasshouse. Measuring approximately 18ft x 10ft (5.5 metres x 3.0 metres), it was custom-built for Mr W.A. Scott of Heriot Row, a Dunedin bicycle shop proprietor, and it was still growing food 70 years later.



NEWSPAPER AD GRAPHIC 1981

J&T Christie, which was founded as a plumbing contracting business in 1881, went on to become New Zealand's largest manufacturer of glasshouses – chances are your grandparents' glasshouse was a Christie. The company later added garden sheds and sheetmetal garden accessories to its range of quality products.

The Christie brand became respected by both home and commercial growers. In their first 100 years Christie Glasshouses were installed in many high profile locations, including Dunedin Botanic Garden, University of Otago Botany Department, agricultural institutions and research centres, forestry nurseries and the (now gone) T.J. Edmonds factory gardens in Christchurch, a photo of which graces the cover of the 'Edmonds Cookery Book'.

In 1968 the company began exporting with a shipment of 100,000 metal garden stakes going to Great Britain and the first glasshouses to Australia. In 1978, a New Zealand missionary determined to promote New Zealand-made products in Japan initiated the sale of Christie Glasshouses in that country. Christie also exported tens of thousands of mini glasshouses throughout Australia, Asia and the Pacific.

J&T Christie was a company of innovators determined to help its customers get the best from the glasshouses it made. In 1968 it published the 'Christie Glasshouse Guide', a comprehensive 144 page book which was the first of its kind to be especially written for New Zealand and Australian conditions. The book provided a down-to-earth, month-by-month guide on all aspects of glasshouse culture. The last edition was published in 1996.

In 2012 the Christie business was taken under the wing of Allan's Engineering and Sheetmetal Services Limited of Dunedin, where it continues to manufacture the great kiwi Christie range.

Christie Garden Sheds to keep stuff in:





Christie quality

CHRISTIE HAS BEEN THE FIRST CHOICE of New Zealand and Australian gardeners for over 100 years. That's because when you buy Christie you know you are buying quality based on the traditional family values of providing top value for money. Christie Glasshouse and Garden Sheds are made to last!

Christie Glasshouse and Garden Sheds are built to withstand extreme weather conditions and years of hard work. They are made in Allan's Dunedin workshop by a dedicated team of sheetmetal engineers who choose to build in heavy gauge Zincalume or Colorsteel. Allan's guarantee their workmanship and materials for 15 years – Allan's 15 Year Tick – which is subject to a range of fair play conditions supplied in writing with your purchase.

Christie garden buildings come in a range of nature-inspired Colorsteel colours, or metallic Zincalume.

The Christie range of quality products includes:

- Glasshouses – freestanding and lean-to
- Mini Glasshouses
- Garden Sheds
- Wood sheds
- Work benches, shelf brackets and staging.



ALLAN'S 15
YEAR TICK

Good things happen when you buy local 100% KIWI MADE



Christie Glasshouses



A CHRISTIE GLASSHOUSE WILL ADD VALUE to your property and increase your gardening pleasure. You will extend your growing season, grow more food faster and grow a much larger variety of produce than you can outdoors. "I planted the same corn at the same time... some outdoors and some in my new Christie Glasshouse. The corn in the glasshouse was ready to eat weeks ahead of the outdoor plants" – Marie Ann, Dunedin.

A Christie Glasshouse provides you with an indoor micro-climate that is more conducive for growing plants than outdoors. Temperatures inside a Christie Glasshouse are considerably warmer, there's no wind or surface frost, and you can control the ventilation with the advanced design Christie roof vents. The glasshouse is easy to irrigate with a common garden sprinkler, dripline, soaker hose or mini irrigator.

You will be amazed at what you can grow, even in the most challenging southern or high country climates. Chillies, capsicum, cucumber, lettuce, kumara and hot climate herbs like basil and coriander. Mushrooms, grapes and many exotic flower species also thrive in the micro-climate of a Christie Glasshouse. And of course, the quintessential tomato!

Insist on Christie quality:

- Long life, heavy gauge Zinalume frame
- Braced to withstand severe wind conditions
- Glass panels proven to have superior long life, transparency, insulation and strength over plastic
- Panes easy to replace if damaged
- Full length lifting vents and easy-glide door
- Lean-to options with all-wall or end-wall doors
- Choose any Dulux powder-coat colour, or a metallic Zinalume® finish
- Options available: potting bench, staging, auto vent openers, louvres, guttering and models custom-built to your design and specifications
- Pre-assembled in sections, or DIY with easy to follow instructions and all hardware
- Treated-timber foundations.



SUPERIOR GLASS PANELS



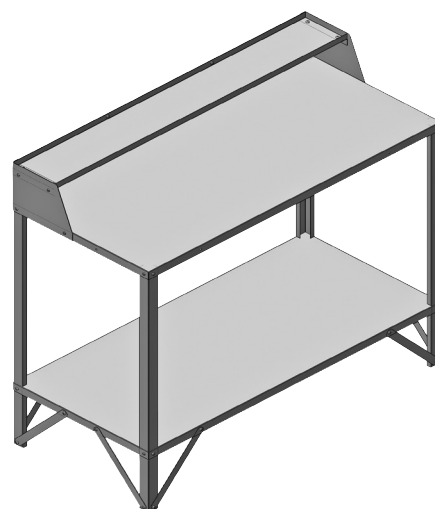
ALLAN'S 15
YEAR TICK



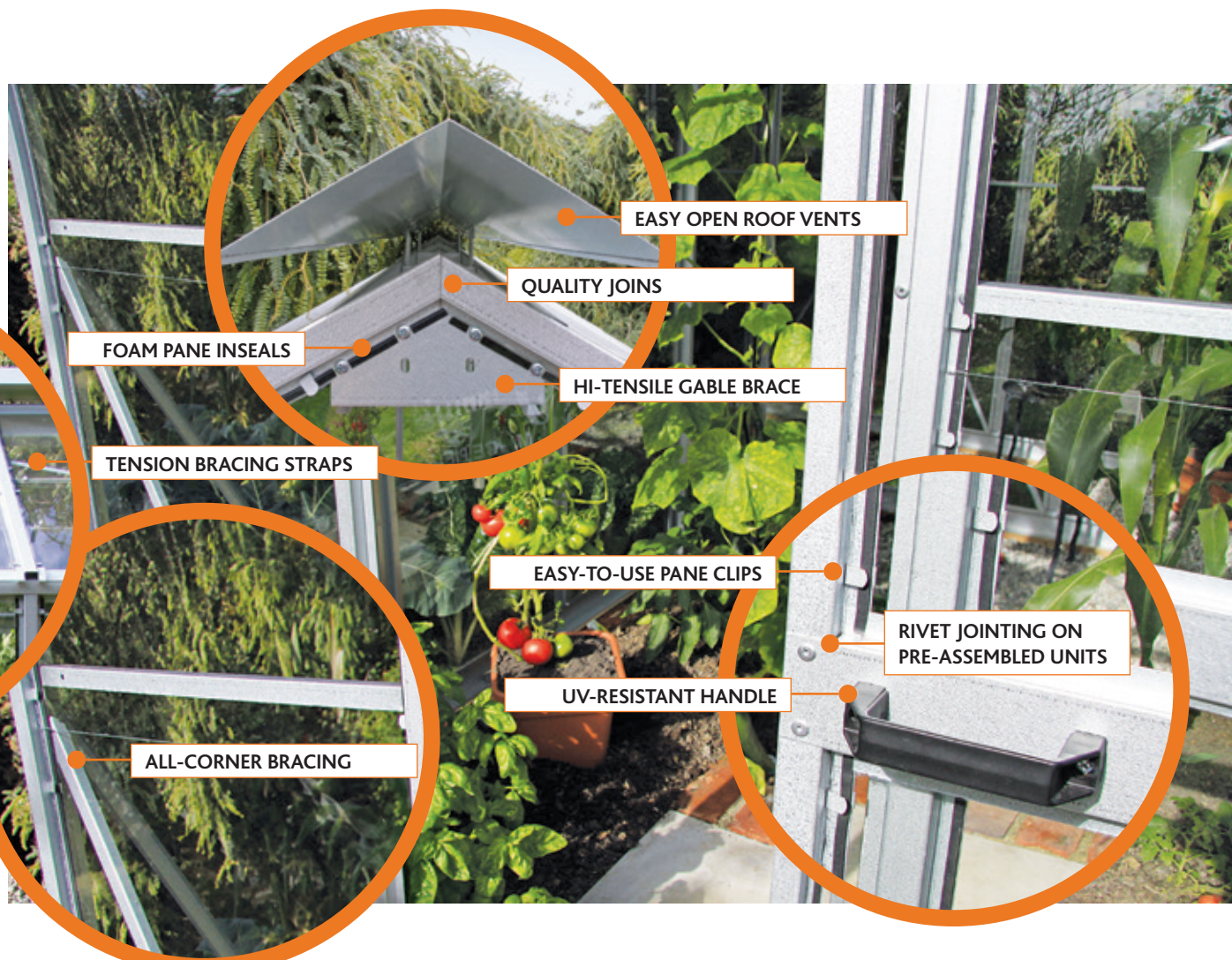
Choose any Dulux powder-coat colour or Zinalume from Colorsteel



Zinalume®



CHRISTIE POTTING BENCH FOR GLASSHOUSES



There's a Christie Glasshouse to suit your garden and growing ambitions

Model	Doors	Width	Length	Height range
Budget 1218	2	1200	1800	1805-1530
Regency 1818	1	1800	1800	2075-1555
Regency 1824	1	1800	2400	2075-1555
Regency 1836	1	1800	3600	2075-1555
Regal 2424	2	2400	2400	2245-1555
Regal 2436	2	2400	3600	2245-1555
Regal 2448	2	2400	4800	2245-1555
Regal 2460	2	2400	6000	2245-1555
Sovereign 3636	2	3600	3600	2595-1555
Sovereign 3648	2	3600	4800	2595-1555
Sovereign 3660	2	3600	6000	2595-1555
Sovereign 3672	2	3600	7200	2595-1555
Argyle Lean-to 618	3*	620	1800	1860-1505
Argyle Lean-to 1218	1†	1200	1800	2040-1715
Argyle Lean-to 1818	1†	1800	1800	2220-1715
Argyle Lean-to 1824	1†	1800	2400	2220-1715
Argyle Lean-to 1836	1†	1800	3600	2220-1715
Argyle Lean-to 2424	2	2400	2400	2375-1715
Argyle Lean-to 2436	2	2400	3600	2375-1715

* All-wall sliding door system. † End-wall door system.

CHRISTIE MINI-GLASSHOUSES are ideal for home gardeners who want the benefits of glasshouse growing but on a smaller scale. Lettuces, dwarf tomatoes, mushrooms, French beans and other vegetable and flower crops thrive under the easy-glide glass covers.

A Christie Mini-glasshouse is also the perfect environment to propagate seeds. The extra warmth and wind shelter give seeds a huge head start. A Christie Mini-glasshouse also protects your seed bed from birds, cats and dogs. Seedlings are pricked-out when ready for planting.

Length 1500mm x width 580mm x peak height 330mm. A 110mm height extension is also available to facilitate taller plants. Galvanised finish.



Christie Garden Sheds



ALLAN'S 15
YEAR TICK

THE GREAT KIWI SHED comes in all shapes and sizes, and the kiwi shed that has stood the test of time is Christie. Christie Garden Sheds have been manufactured in Dunedin for over 50 years to provide New Zealand gardeners (and hoarders) somewhere safe to keep their treasures. Christie Garden Sheds are also proven as wood sheds and bus shelters for country kids.

A Christie Garden Shed is a brilliant addition to your backyard adding to your storage capacity – you can finally clear-out the garage and park your car in it.

Christie Garden Sheds provide a weatherproof and secure facility. A padlock system can be used on the door latch to keep out wannabe thieves. And hazardous substances and potentially dangerous equipment can also be safely locked away from curious children.

Insist on Christie quality:

- Long life, heavy gauge, roofing quality Zinalume or Colorsteel
- Braced to withstand severe wind conditions

- Two roof design options – sloping or gabled
- Roof guttering standard on all models
- Secure design with lockable door latch system
- Choice of single or double easy-slide doors
- A range of 15 nature-inspired Colorsteel® colours, (see page 7) or metallic Zinalume® finish
- Optional extras include windows, clearsheet skylight, shelf brackets, work benches and staging
- Pre-assembled in sections, or DIY with easy to follow instructions and all hardware.

 **COLORSTEEL®** Zinalume®

Christie Accessories



GET MORE FROM YOUR CHRISTIE Glasshouse and Garden Shed with top quality Christie shelving brackets, work benches and staging. Staging in your glasshouse adds a new dimension, providing the perfect tiered platform for plant propagation or just "pottering".

A Christie Accessory has a Zinalume long-life, non-rust finish. Visit the Allan's website for full details on the many sizes available.



ALLAN'S 15
YEAR TICK

Zinalume®

■ CHRISTIE TIERED STAGING

1 METRE

1 METRE

To help you determine which size Christie Garden Shed is best for you use a scale grid and draw on the footprint of the 'stuff' you want to keep in it. You can increase the capacity and utilisation of your shed with Christie shelving and work benches.

'WORKSHOP' GABLE ROOF

'UTILITY' SLOPING ROOF

There's a Christie Garden Shed to increase your storage capacity

Model	Roof	Doors (width)	Width	Length	Height range
Mini Utility 0815	Sloping	1 (740mm)	877	1597	1950-1850
Junior Utility 0823	Sloping	1 (740mm)	877	2357	1950-1850
Large Utility 0831	Sloping	2 (1500mm)	877	3111	1950-1850
Utility 1515	Sloping	1 (740mm)	1597	1597	1950-1850
Super Utility 1523	Sloping	1 (740mm)	1597	2357	1950-1850
Jumbo Utility 1531	Sloping	2 (1500mm)	1597	3111	1950-1850
Junior Workshop 2323	Gable	1 (740mm)	2357	2357	2010-1850
Workshop 2331	Gable	2 (1500mm)	2357	3111	2010-1850
Super Workshop 2338	Gable	2 (1500mm)	2357	3874	2010-1850
Jumbo Workshop 2346	Gable	2 (1500mm)	2357	4630	2010-1850
Factory Workshop 3131	Gable	2 (1500mm)	3111	3111	2010-1850



FREE COLOUR SAMPLES: Christie Garden Sheds come in a choice of 15 nature-inspired Colorsteel® colours or Zinalume®. The colours shown here are approximate only because of the process used to print this brochure. To help with your final decision, please call Allan's for an actual sample of your Colorsteel® choice.



A Christie Glasshouse will add
a new dimension to your garden



DESIGNED AND MANUFACTURED BY:

ALLAN'S RETAIL PARTNER:



Location 1 Thomas Burns Street
Dunedin 9016, New Zealand
Postal PO Box 49, Dunedin 9054
Email admin@allans.co.nz
Phone (03) 477-7909
Freephone 0800-ALLANS (0800-255267)
www.christieglasshouses.co.nz
www.allans.co.nz

Engineering / Sheetmetal / Long Run Roofing / Scaffolding / Lifts / Christie Glasshouse and Garden Sheds / Ecomax Boilers