

# ASSEMBLY & SETTING INSTRUCTIONS FOR Christie Glasshouse Vent Auto Opener

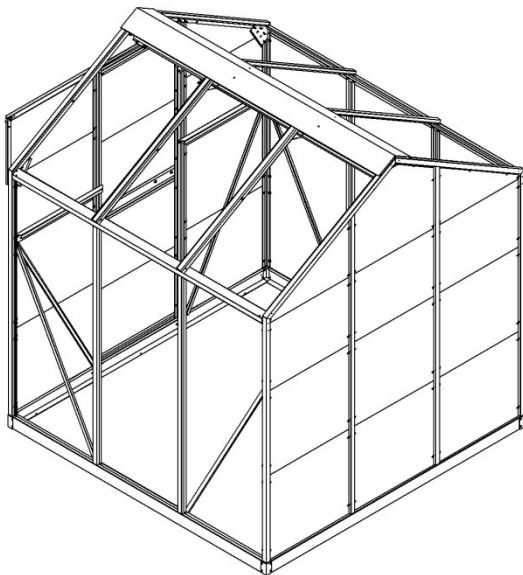
Dear Customer,

Congratulations for purchasing a quality Christie Glasshouse Product supplied By Allan's. It can be a temptation to disregard these instructions, but please take a few minutes to read so fitting can be made easier.

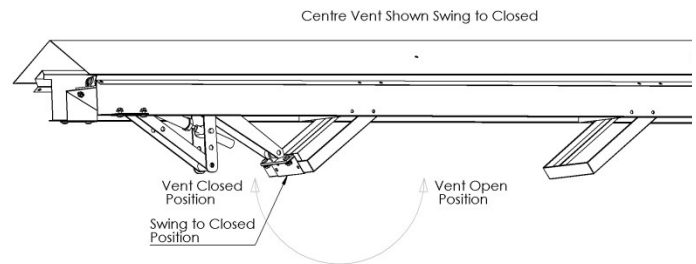
If you are pleased with the Christie Glasshouse Vent Auto Opener, please tell others. If not please tell us.

.....  
This assembly is suitable for ridge vents for Christie glasshouses with handles used in a swing motion.

**Fig 1** Typical style of glasshouse.



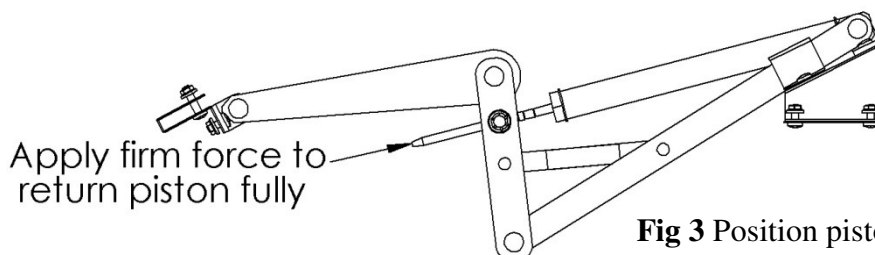
**Fig 2** Shows swing motion to open and close.



## Preparing the Vent Auto Opener for Fitting

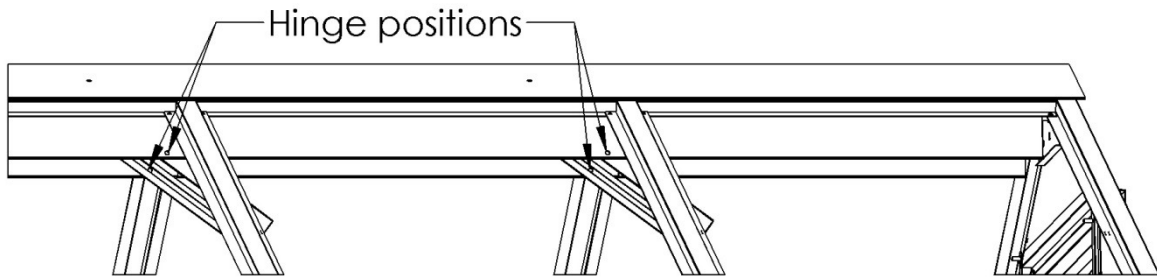
This part of the instructions are for when the Vent Auto Opener is not supplied fitted to the vent.

- 1 Unpack from packaging.
- 2 Place unit with the cylinder in a cool place for 30 minutes to allow wax to cool and retract. A refrigerator is ideal.
- 3 When wax is cool, remove from the refrigerator and place steel piston rod (See Fig3) against a hard surface while pushing firmly to retract rod fully. Unit is ready to fit.



**Fig 3** Position piston rod after cooling by pushing firmly to retract.

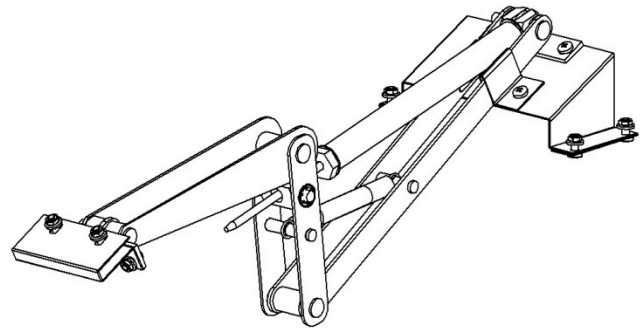
- 4 Check the hinges of the vent handles. If they are bolts and nyloc nuts, go to the next step. If they are rivets, they will have to be removed and replaced with the bolts and nyloc nuts provided. These need to be tightened such that the vent will open easily, but will stay in whatever position it is left in.



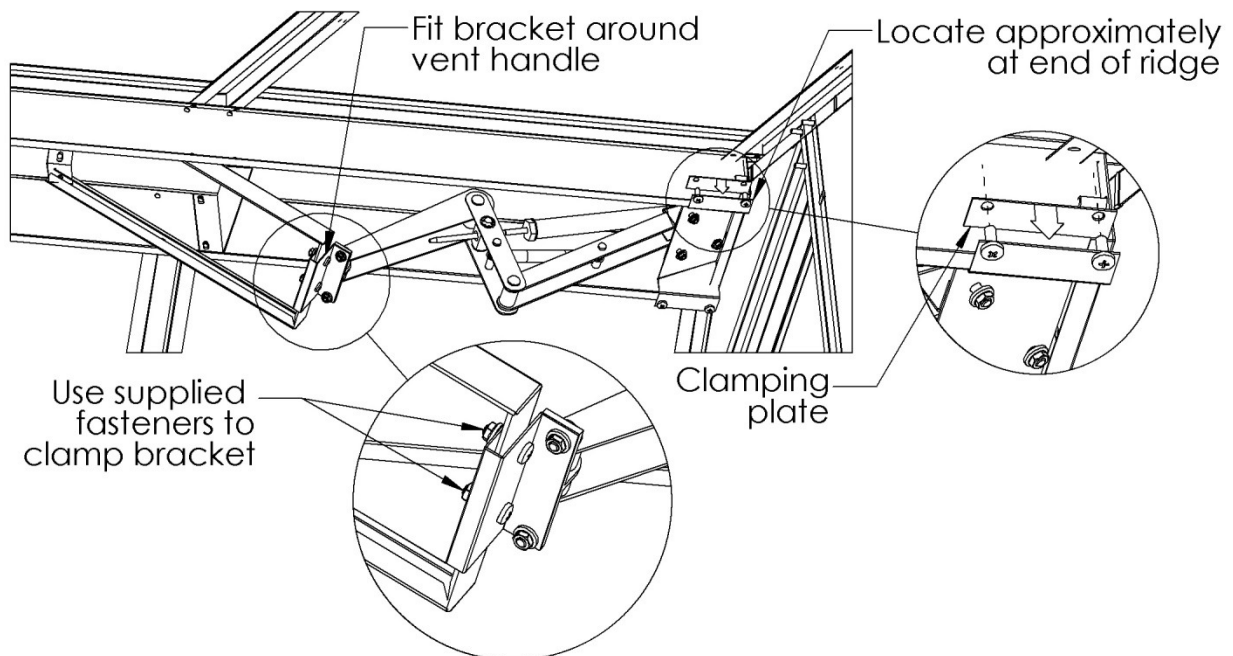
- 5 Ensure the vent operates smoothly through its opening range of movement.

### Fitting the Vent Auto Opener

The Vent Auto Opener should look like this:



Using the supplied clamping plates and fasteners, clamp the Vent Auto Opener under the vent, at the end of the ridge.



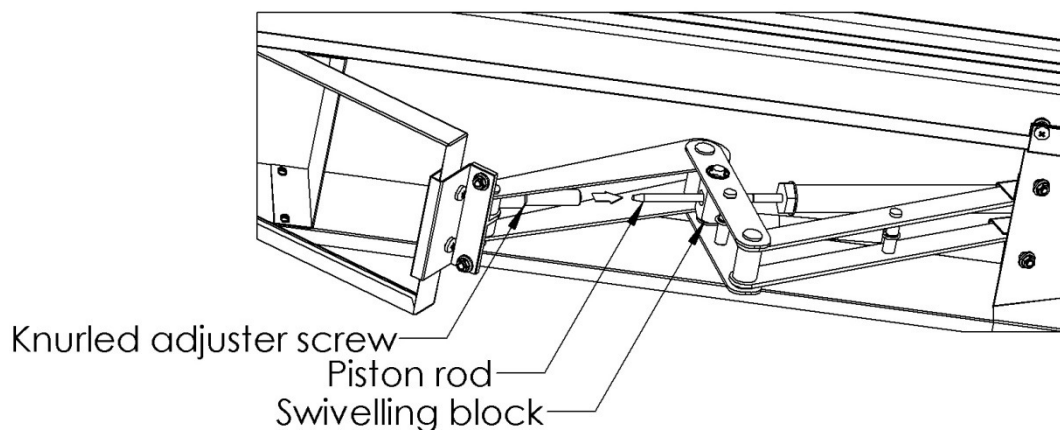
Clamp the vent auto opener to the ridge using the clamping plates and fasteners provided. At the other end of the vent auto opener, fit the bracket around the vent handle. Fix the bracket to the handle with the fasteners supplied.

## Setting the Vent Auto Opener

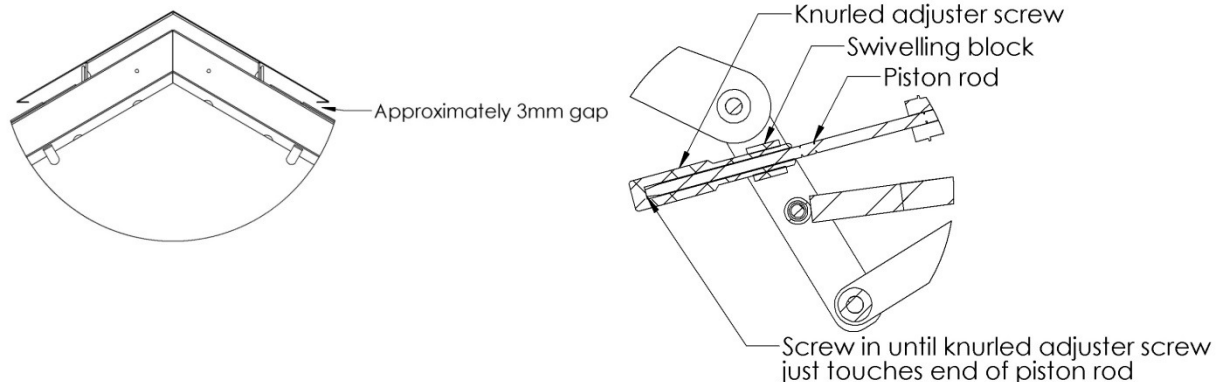
The Vent Auto Opener is made so that it can be set to open at different temperatures, depending on your requirements.

It is recommended to use a thermometer placed or hung near the vent auto opener for best results.

Setting is best carried out when there is no wind, as wind may try to open or close the vent. Once the temperature inside the glasshouse has reached the temperature you'd like the vent to start opening, take the knurled adjuster screw and slip it over the piston rod. (NOTE: You may have to open the vent to be able to do this). Screw the knurled adjuster screw into the swivelling block, ensuring at least four threads are engaged.



Hold the vent in a position where it is open by about 3mm and screw the knurled adjuster screw in until you can just feel it engage with the end of the piston rod.



As the temperature increases, the vent will slowly open further, and as the temperature decreases it will slowly close.

If you wish the vent auto opener to start opening the vent at a higher temperature, screw the adjuster further out of the swivelling block, and if you wish it to open at a lower temperature screw the adjuster further into the swivelling block. Always ensure at least four threads are engaged.

Further adjustment can be made by moving the mounting position along the ridge.

Note: The actual vent movement is very slow. It may take an hour or more for the vent auto opener to fully open, or fully close.